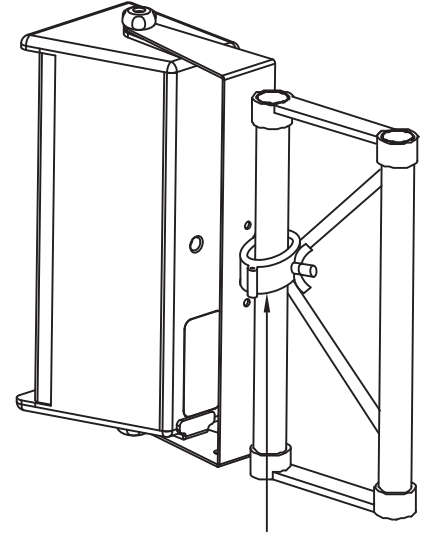
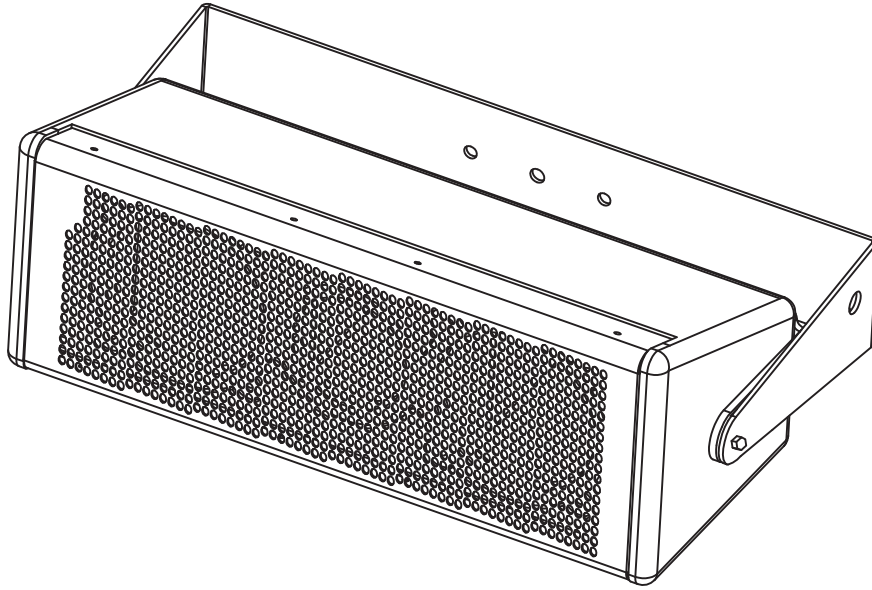
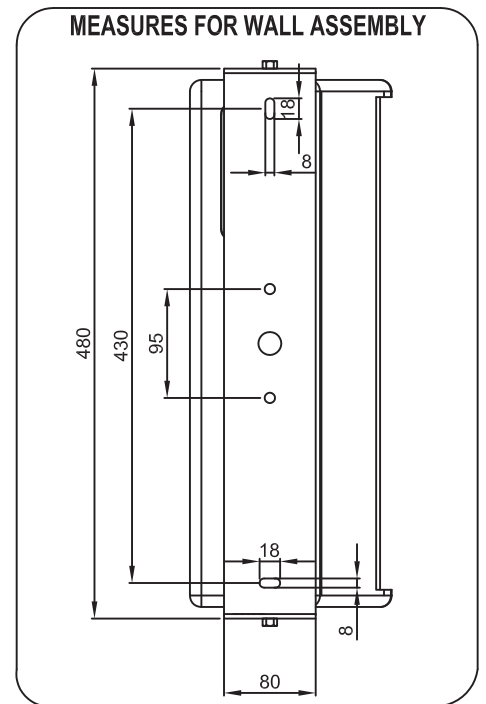
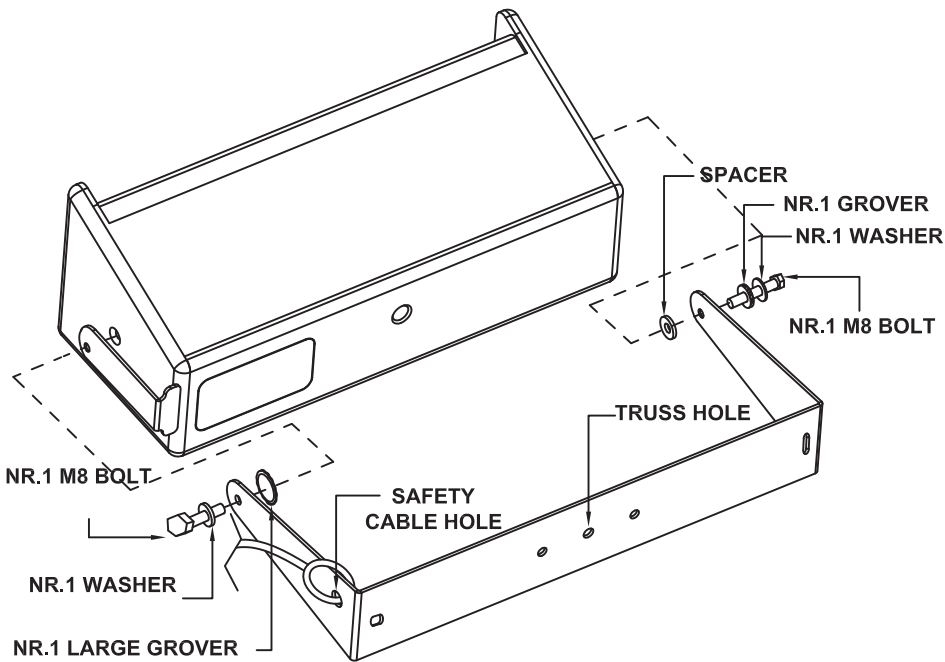


KPTED25B

C-SHAPE BRACKET FOR ED25P



COUPLERS FOR INSTALLATION TO TRUSS SYSTEM



⚠️ CONDITIONS OF USE

Proel does not accept any liability for damage caused to third parties due to improper installation, use of non-original spare parts, lack of maintenance, tampering or improper use of this product, including disregard of acceptable and applicable safety standards. Proel strongly recommends that this loudspeaker cabinet be suspended taking into consideration all current local regulations. The product must be installed by qualified personal. Please contact the manufacturer for further information.

⚠️ WARNINGS

- Use the C-Shape bracket exclusively for ED25P model.
- For wall or ceiling mounting use exclusively adequate fixings to hold up at least ten times the total weight of the speaker plus the bracket.
- Do not suspend speakers from plasterboard or other light walls or ceilings of any material.